



新华

A CHNT COMPANY

新华科技 智慧交通解决方案

为轨道交通综合监控、电力监控、电能量监控提供一体化解决方案，集成“站-线-网”自动化和智能化系统设备；实现信息共享和信息联动；满足轨道交通高效运营的管理需求。

十多年来，为上海14条地铁300余个站点以及苏州、杭州、温州、青岛、深圳等城市轨交提供优质服务。



上海新华控制技术集团科技有限公司

全国统一客户服务热线

021-34292618

欲了解更多信息请访问

www.xinhuagroup.com

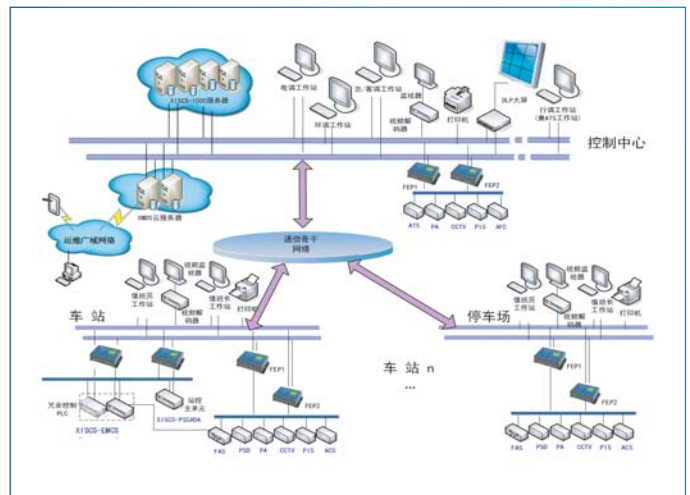
全球领先的智慧能源解决方案提供商

欢迎关注新华微信公众号

XISCS-1000 轨道交通监控系统解决方案

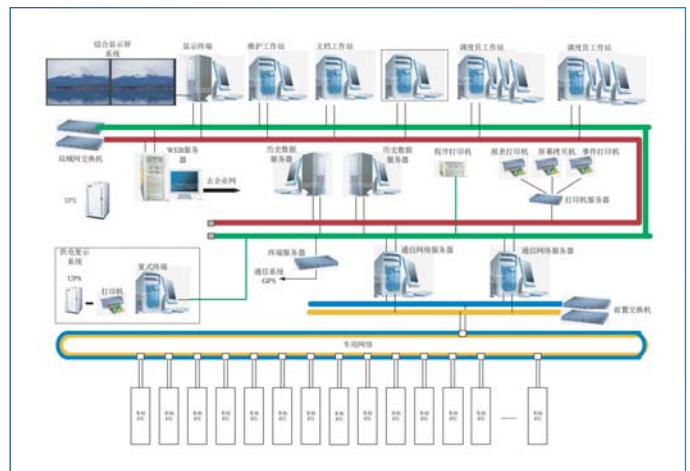
系统特点：

- ▶ 高性能、高可靠性和高可用性；
- ▶ 采用核心的分布式实时数据库和分布式数据通信技术；
- ▶ 具备1000万点以上的大容量数据处理能力；
- ▶ 采用云计算和大数据技术，处于行业领先水平；
- ▶ 采用多服务器并行处理，实现数据处理和数据通信的负载均衡；
- ▶ 提供综合监控系统方案设计、产品集成、调试服务、售后维护等一体化服务。



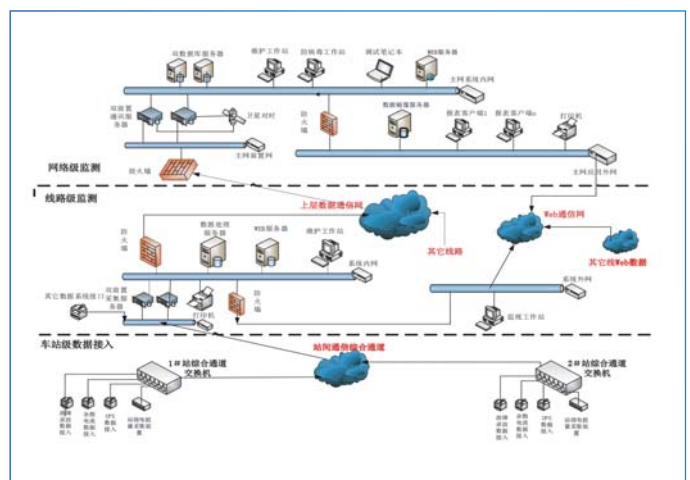
XISCS-PSCADA 轨道交通电力监控系统解决方案

电力监控系统（包含电力调度系统、变电所综合自动化系统），用于实施对轨道交通全线变电所供电设备的监视控制和数据采集，完成变电所事故分析和维护维修调度管理。



XISCS-PQSS 轨道交通电能量监测系统解决方案

电能监测系统（包含线路级能耗监测管理系统、站级能耗监测单元），通过采集变电所内所设置的智能监测仪表数据，实现对轨道交通供电系统的电能质量参数测量、监测分析和计量管理等功能。



典型应用

- ▶ 上海在运营的14号线
- ▶ 苏州有轨电车2号线
- ▶ 青岛轻轨2号线
- ▶ 深圳5号线
- ▶ 杭州2号线
- ▶ 温州市域铁路S1线



XINHUA Technology Rail Transport Solution

This integrated solution is used for comprehensive supervision, power supervision and electric energy supervision of rail transport industry , which integrates the " station-line-network" automatic and intelligent system equipment ; realizes the information sharing and linkage; meets the management demands of rail transport for efficient operation.

In the past ten years, Shanghai Xinhua has provided high-quality services to 14 lines of subway with more than 300 stations in Shanghai and to urban rail transport in Suzhou, Hangzhou, Wenzhou, Qingdao, Shenzhen and other cities.



Shanghai Xinhua Control Technology Co.,Ltd

Please consulting Tel.:

021-34292618

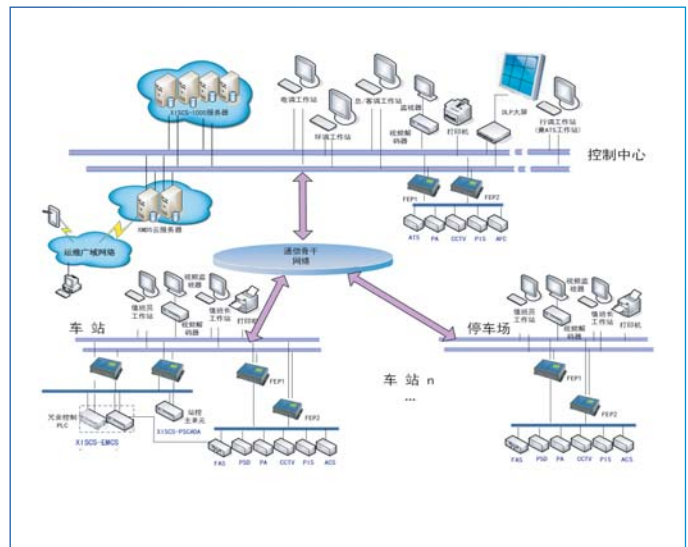
Please visit website:

www.xinhuagroup.com

Solution for XISCS-1000 for rail transport supervision system

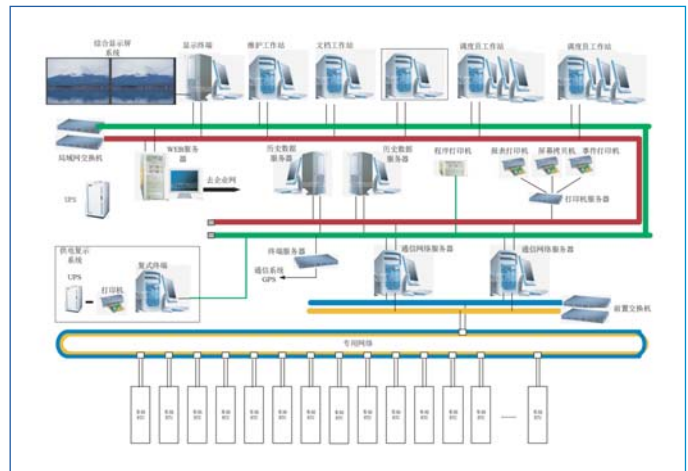
System Features

- ▶ Superior performance, reliability and availability;
- ▶ Distributed real-time database and distributed data communication technology;
- ▶ Capability to process data of over 10 million points;
- ▶ Cloud computing and big data technologies;
- ▶ Multiple servers design for parallel data processing and for load balancing in data processing and data communication;
- ▶ Pakaged services include comprehensive supervision system scheme design , equipment integration, system configuration and debugging, after-sales maintenance services.



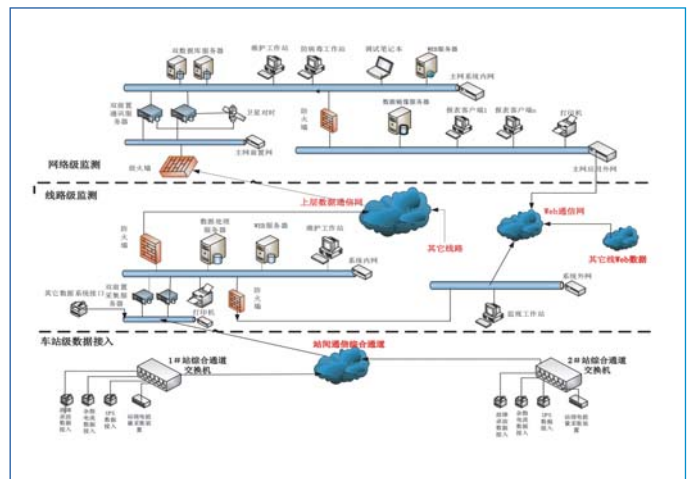
Solution XISCS-PSCADA for railtransport power supervision system

Power supervision system (including power scheduling system and comprehensive automation system at substation) is used to implement the supervision and control and data acquisition for the power supply equipment at the substations on the whole line of rail transport, and complete the analysis for substation accidents and scheduling management for maintenance and repair.



Solution XISCS-PQSS for rail transport electric energy monitoring system

Electric energy monitoring system (including the circuit energy consumption monitoring and management system and station energy consumption monitoring unit) can realize the measurement for electric energy quality parameters, monitoring and analysis, metering management and other functions of rail transport power supply system by collecting the data on the intelligent monitoring instrument set inside the substation.



Typical Application Reference

- ▶ 14 Metro lines in Shanghai
- ▶ Line 5 in Shenzhen
- ▶ Tramcar Line 2 in Suzhou
- ▶ Line 2 in Hangzhou
- ▶ Light Rail Line 2 in Qingdao
- ▶ City Region Railway Line S1 in Wenzhou